

SIZE

25mm/20mm

CODE

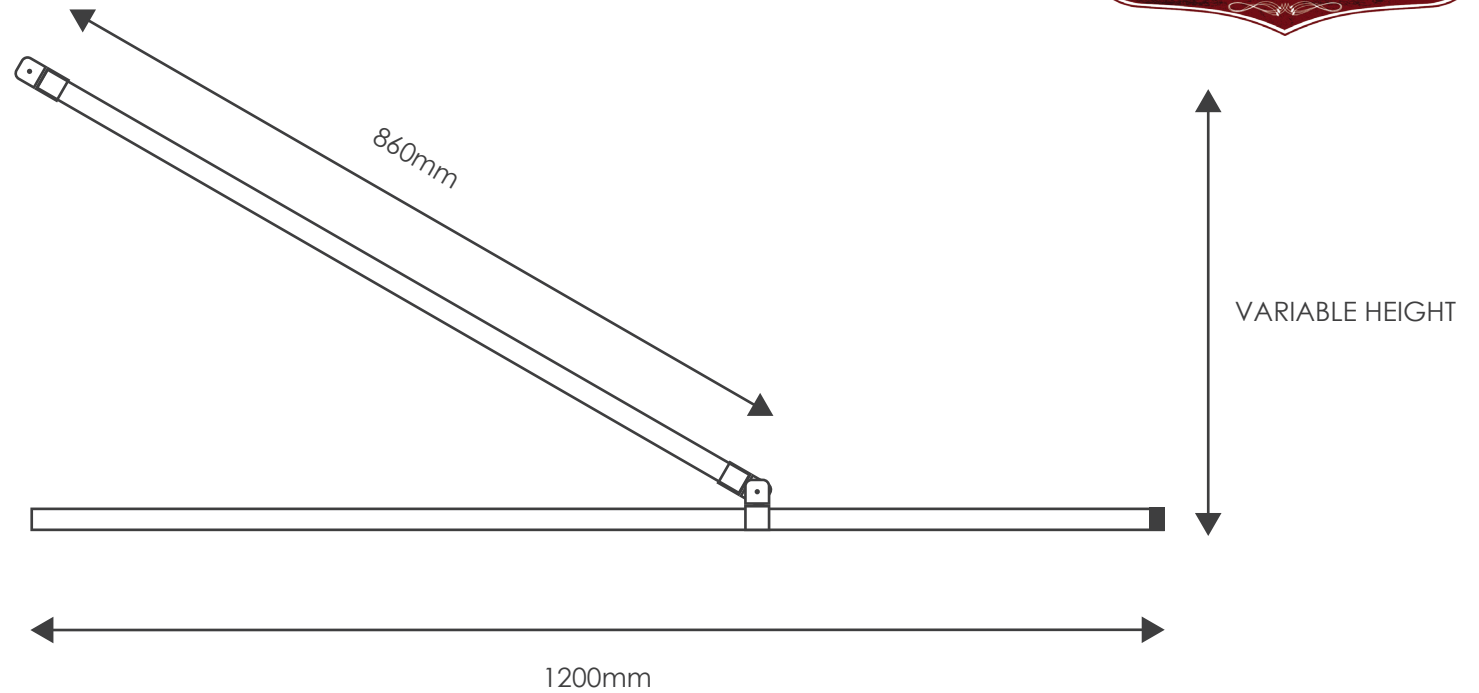
AU - G - G36

20/10/15

SCALE

1 : 8

R & D / INTERNAL / PUBLIC RELEASE



DIMENSIONS ARE IN MILLIMETERS

DESCRIPTION

G36 GOOSENECK ARM

Our G36 Straight Arm has been designed to weather the strongest elements that Australia's seasons have to offer. Provided with two mounting points the G36 can be otherwise inverted (supported from top or bottom) to provide the safest and most economical lighting features. The G36 is strong and flexible for all manners of installation. Wall Bracket supplied in the chosen finish.

DRAWN BY

DRAWING APPROVAL

REVISIONS

BARN LIGHT AUSTRALIA PTY LTD
21-22 NATIONAL DRIVE
FACTORY #12
HALLAM, VIC 3803

PROPRIETY AND CONFIDENTIAL

CHECKED

DESIGN APPROVAL

WWW.BARNLIGHT.COM.AU
PHONE : (03) 8743 5500
EMAIL : SALES@BARNLIGHT.COM.AU

THE INFORMATION CONTAINED IN THIS DRAWING IS THE SOLE PROPERTY OF BARN LIGHT AUSTRALIA COMPANY, PTY LTD. ANY REPRODUCTION IN PART OR AS A WHOLE WITHOUT THE WRITTEN PERMISSION OF BARN LIGHT AUSTRALIA COMPANY, PTY LTD IS PROHIBITED.